



# Ti2000

## SPECIFICATIONS

### ACOUSTIC & ELECTRICAL SPECIFICATIONS:

- \* Nominal Impedance: 4 ohm
- \* Recommended Amp Power: 50-200W
- \* Frequency Response: 50 Hz - 30 kHz (-6dB)
- \* Sensitivity: 89 dB / 2,83V / 1 m
- \* Crossover frequency: 300 Hz and 3 kHz

### SYSTEM COMPONENTS:

- \* Cabinet: CTI2000 (Not for sale)
- \* Grille: GTI2000 (240517)
- \* Woofer: 708G 210mm Woofer  
50mm voice coil
- DC Resistance: 4,1 ohm
- \* Midrange: 705G 130mm Midrange  
30mm voice coil

### SYSTEM COMPONENTS: (cont'd)

- DC Resistance: 4,4 ohm
- \* Tweeter: 050TI 25mm  
Titanium Dome Tweeter
- DC Resistance: 3,8 ohm
- \* Crossover Network: NTI2000 (270514)

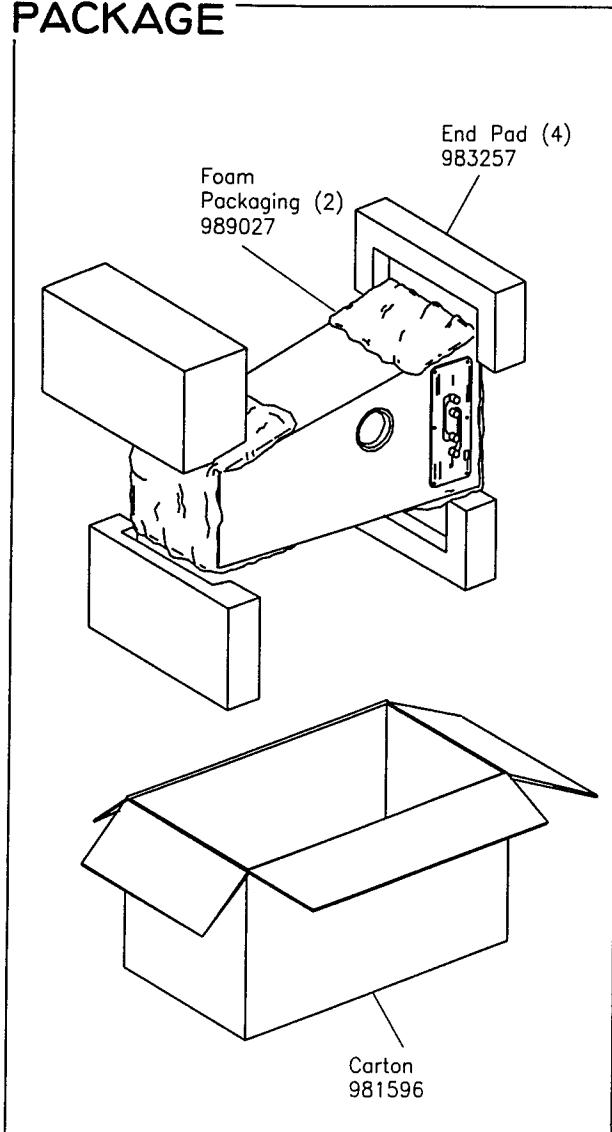
### PHYSICAL SPECIFICATIONS:

- \* Enclosure Dimensions (H.W.D): 24-3/8x13x12 In. D  
(620x332x305mm D)
- \* Shipping Weight: 48 lbs. (22 kg.)

### WARRANTY INFORMATION:

- \* Refer to the Warranty Statement packed with each product

## PACKAGE

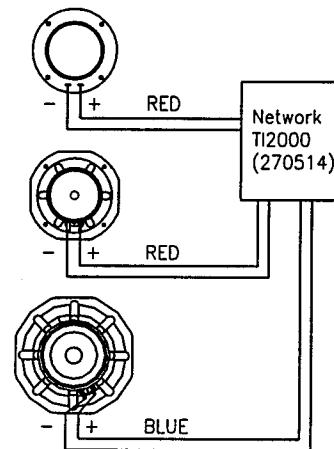


## WIRING DIAGRAM

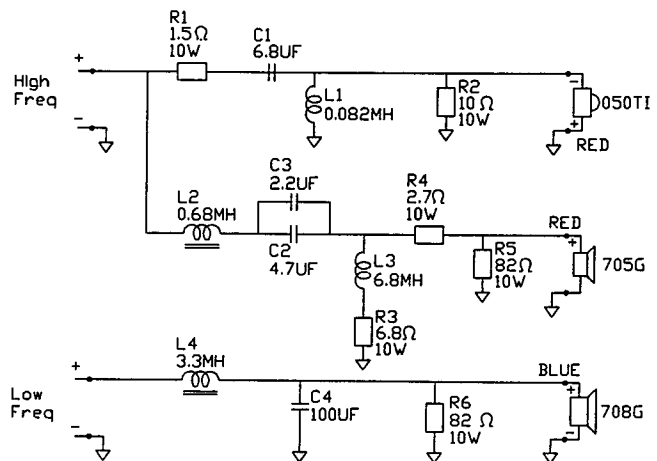
Tweeter  
050TI  
(971700)

Midrange  
705G  
(971703)

Woofer  
708G  
(971709)



### SCHEMATIC TI2000



NOTE: CONE/DIAPHRAGM KIT NOT AVAILABLE.  
DEFECTIVE DRIVER SHOULD BE REPLACED.

Ti2000

# Ti2000

## COMPONENT EXPLODED VIEW

